

# MEASURE CUT INSTALL

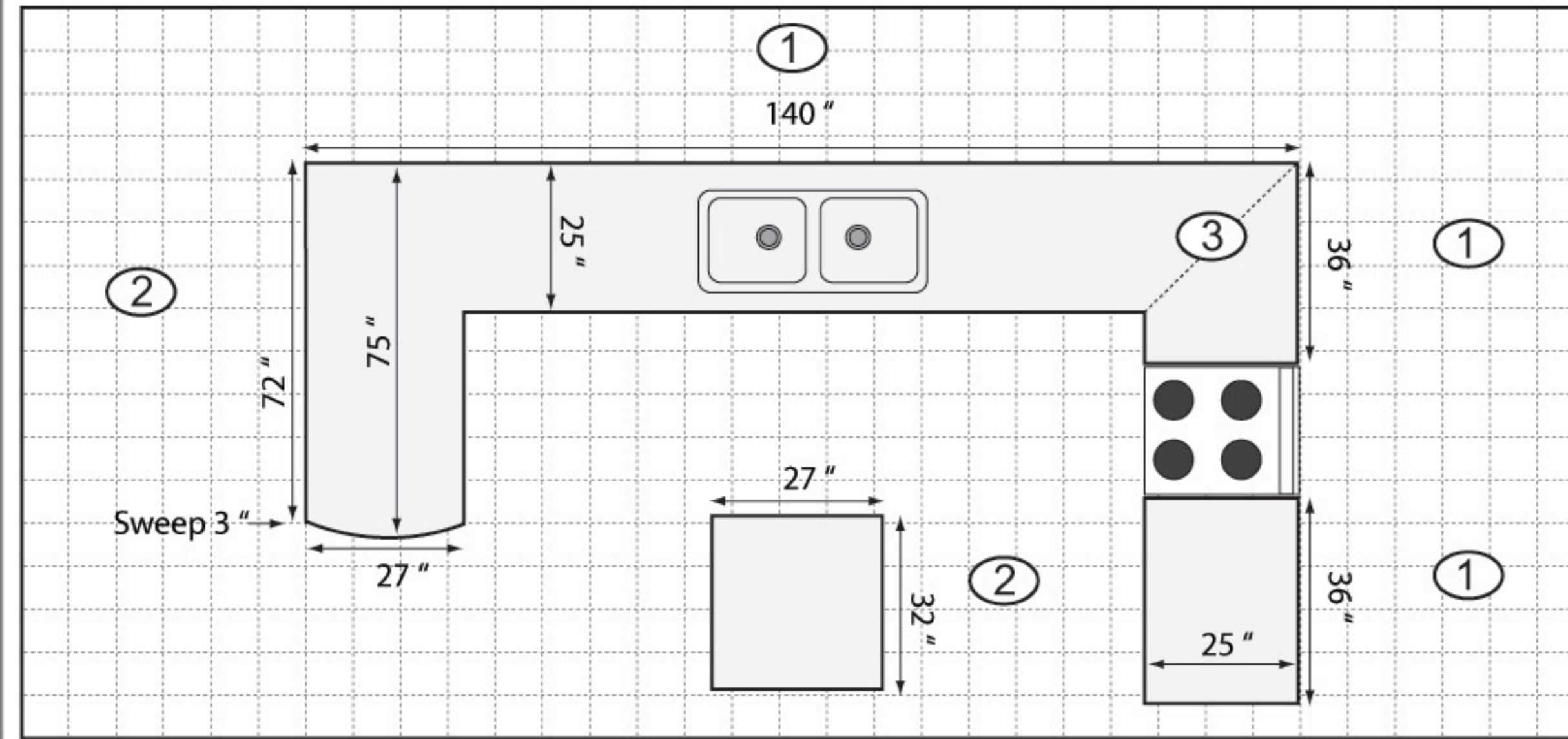
WITH CONFIDENCE  
YOUR NEW COUNTERTOP



COUNTERTOPS  
- FOR EXISTING CABINETS  
- FOR NEW CABINETS

## HOW TO MEASURE Existing cabinets

www.belanger-laminates.com



### IMPORTANT

To replace an existing countertop, determine if your countertop is:

- A A postformed or "moulded" countertop.
- B A straight-edge countertop.

For a postformed countertop, follow the instructions immediately below.

For a straight-edge countertop, follow the instructions for "new cabinets" below.

1... Measure the dimensions of the existing countertop :

- A Measure the **total** length of each piece of countertop along the back where the top meets the wall.
- B Measure each additional piece of countertop. N.B. Measure to the nearest 1/16"

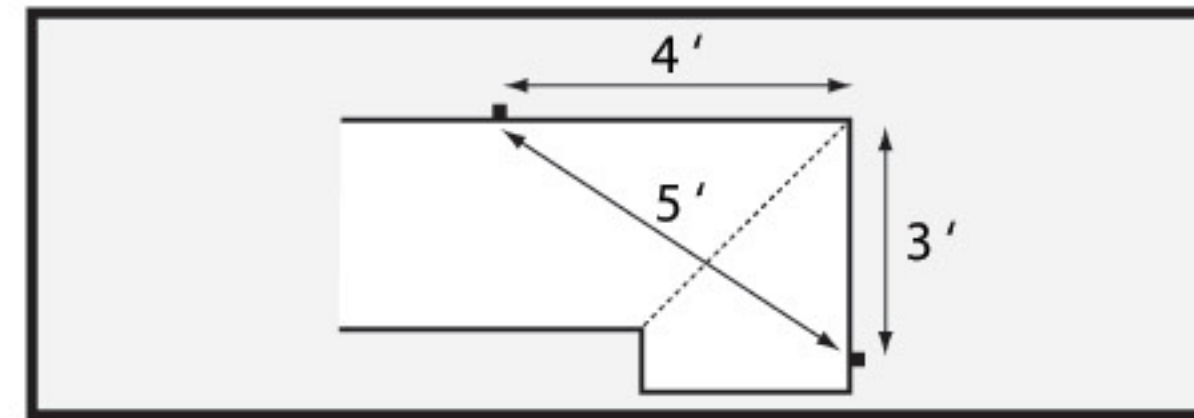
**Note :** The depth differs from kitchen top and vanity top.

2... For bartops and islands :

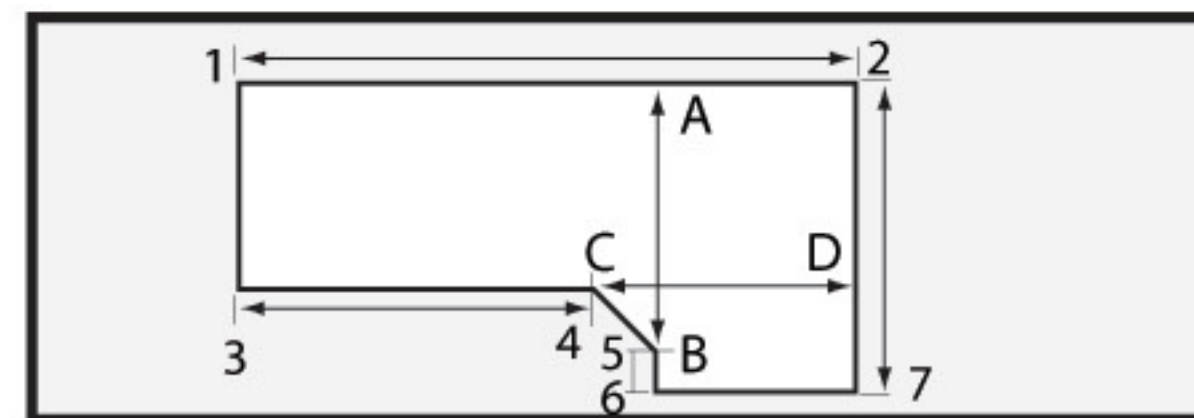
- A For bartops, measure the width (Example 27") and the total length from the wall to the end of the bartop. (Example 75")
- B Measure the length from the wall to where the sweep (curve) starts. (Example 72") The difference is the radius : example 75" - 72" = 3" sweep.
- C For islands, measure both the length and the width.

3... Where two walls meet, verify if the angle is a true 90°. Measure 3 feet on the wall from the corner and 4 feet on the other side and mark both measurements. Measure the cross distance between the two wall points. A perfect 90° wall corner should indicate 5 feet (60")

- A If your measurement is greater than 60 1/4" or less than 59 3/4", note this on your measurements. Example : 59 1/4"



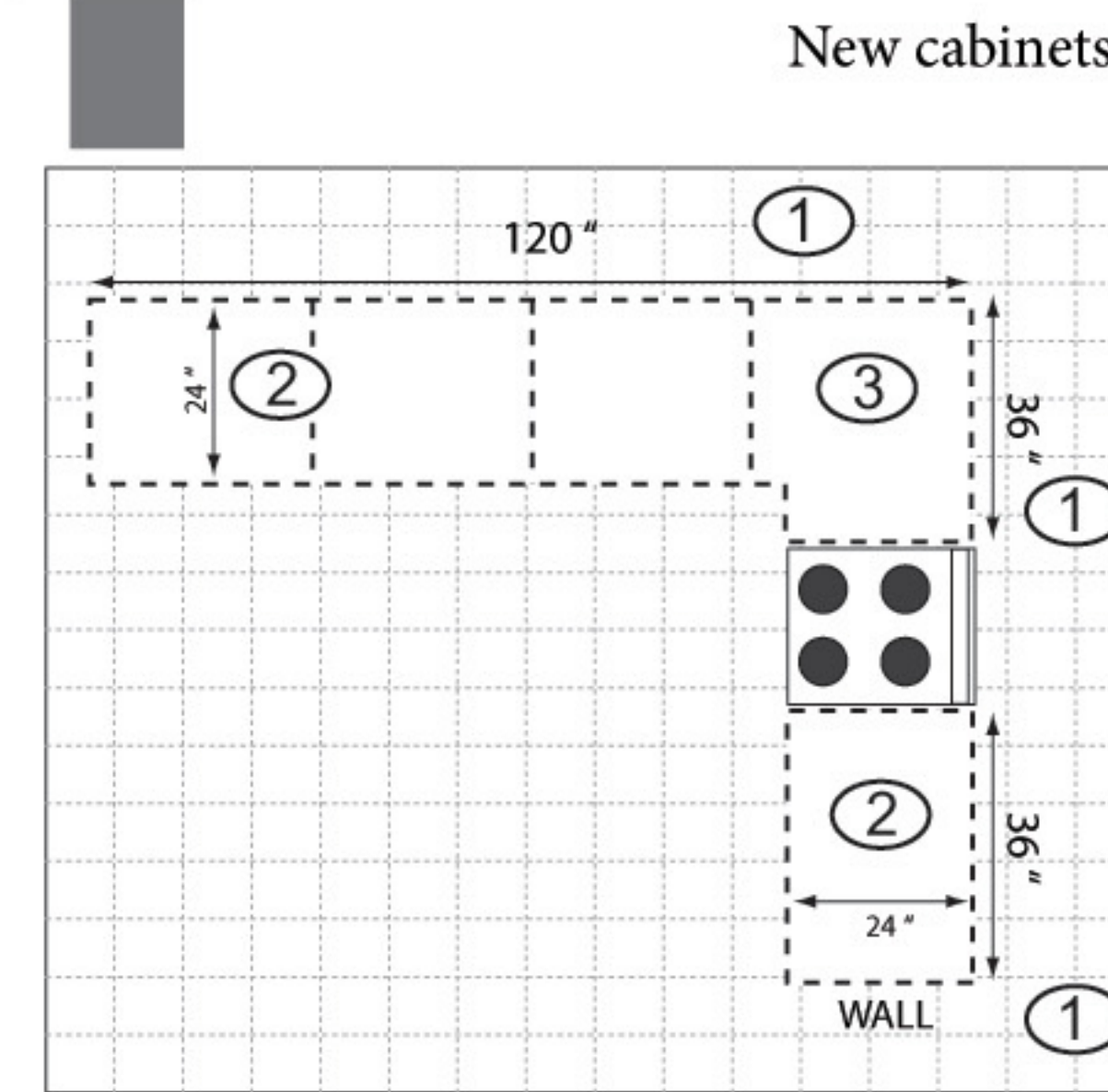
4... For diagonal corners, measure A-B and C-D. Be sure to measure to the wall, including the back splash depth. Be sure that you have also measured : 1-2, 3-4, 5-6, 2-7



5... Now choose your finishing end.

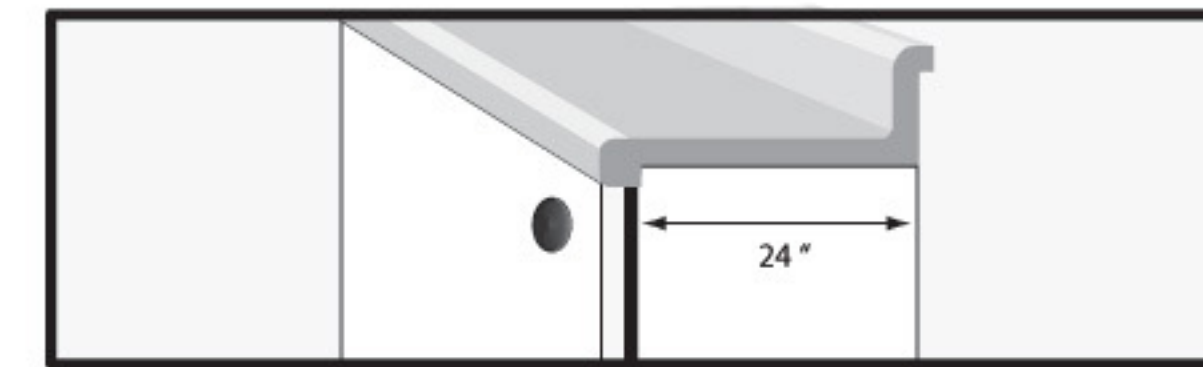
## HOW TO MEASURE New cabinets

www.belanger-laminates.com



Countertop measurements for new cabinets and for the replacement of straight-edge countertops are done in the same manner. Straight-edged tops often have non-standard depths. For this reason, your countertop supplier must know the exact dimensions of the cabinets.

- 1... Measure the **total** length for each cabinet segment along the back wall.
- 2... Measure the depth of each cabinet segment. Be sure to give the **exterior** dimension, **excluding** the thickness of the door.



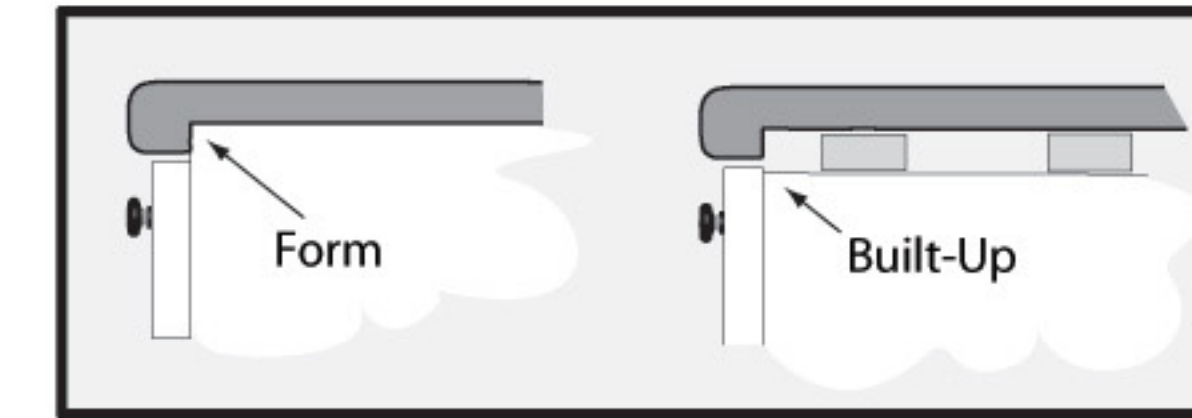
3... Verify if the angle is a true 90°. Measure 3 feet on the wall from the corner and 4 feet on the other side and mark both measurements. Measure the cross distance between the two wall points. A perfect 90° wall corner should indicate 5 feet. (See diagram #3)

- 4... Indicate the location of walls and appliances.
- 5... Complete the finishing instructions. (See FINISHING)

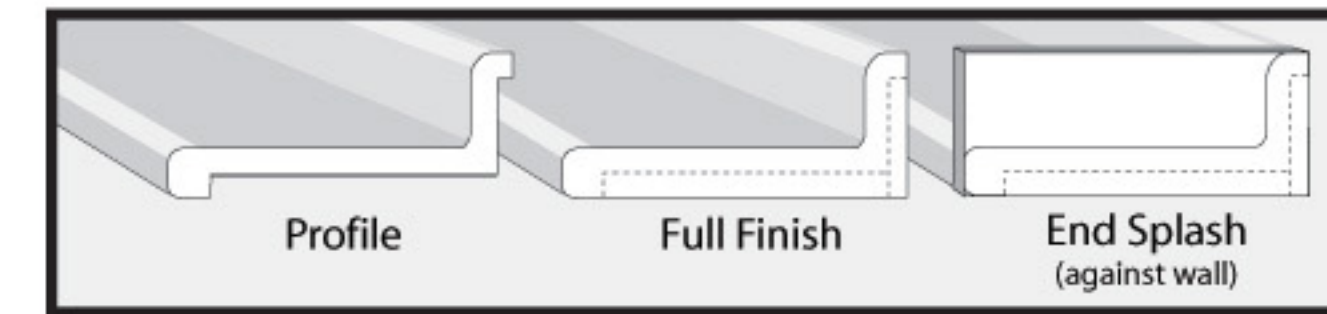
## TYPES OF FINISH ENDS

www.belanger-laminates.com

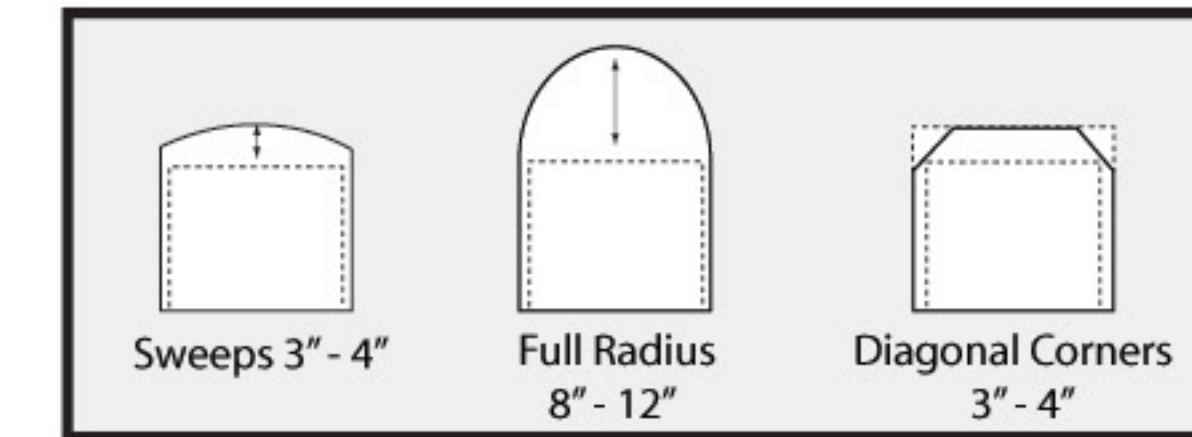
1... To allow for proper clearance of cabinet doors, indicate the type of countertop : "form" or "built-up".



2... The ends of countertops must always be finished. Three types of finished ends are available. Usually an apparent end of countertop or island will be finished "Full", whereas the ends butting up against appliances are often finished "Profile". End (or "return") splashes are used exclusively against walls.



3... Indicate how the bartop ends are to be shaped.



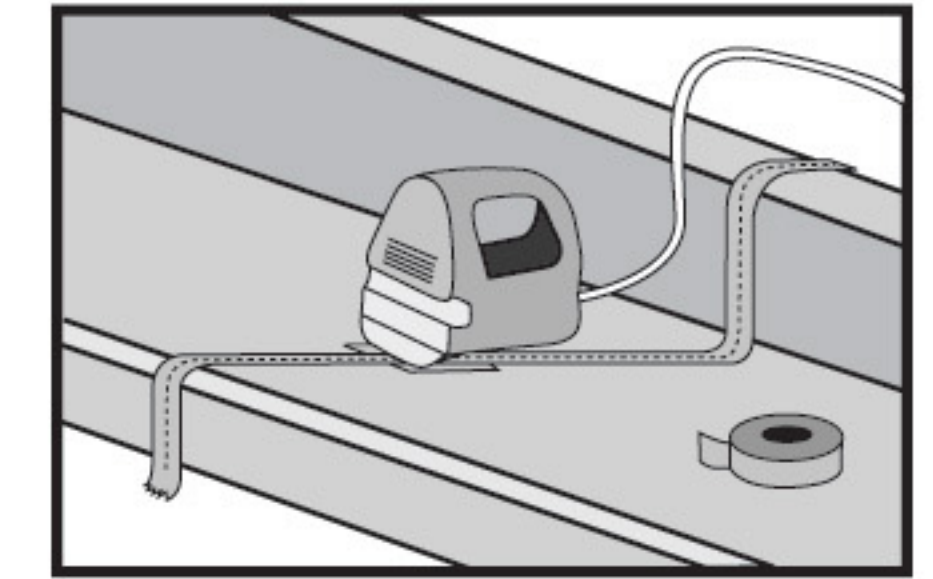
Good work!



I can help you at  
www.belanger-laminates.com

## CUT

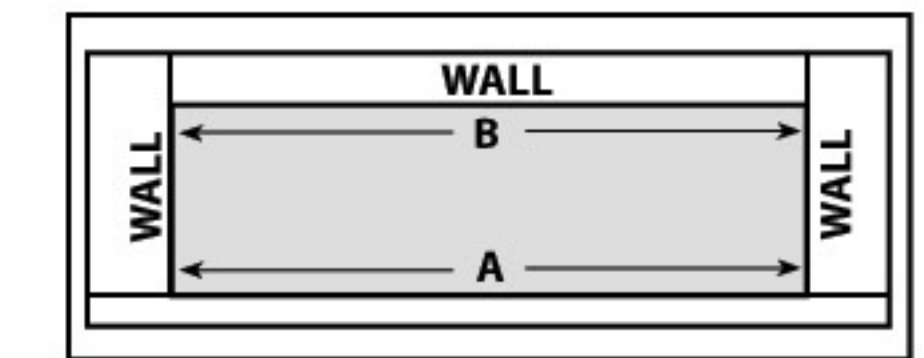
www.belanger-laminates.com



1... Trace a line at the final finished dimension.

Apply a transparent tape on the line.

With a jig-saw, using a blade for laminate, cut at 1/8" longer than the finish line.

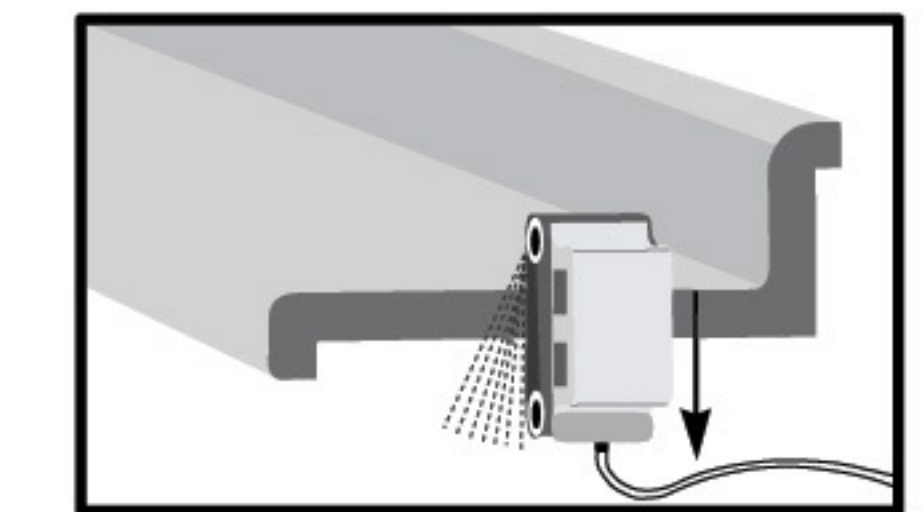


2... If your countertop is to be inserted between two walls :

Measure the length at the front (A) and back (B). Cut 1/4" shorter than the **longest** dimension.

If your wall is not straight, sand off the excess.

**ATTENTION :** For 45° angles, BELANGER strongly recommends that you order a custom countertop. A 45° angle is extremely difficult to do without a professional countertop saw.



3... With your belt sander, sand to the finish line. Be careful to keep the sander perpendicular to the countertop as illustrated above.



